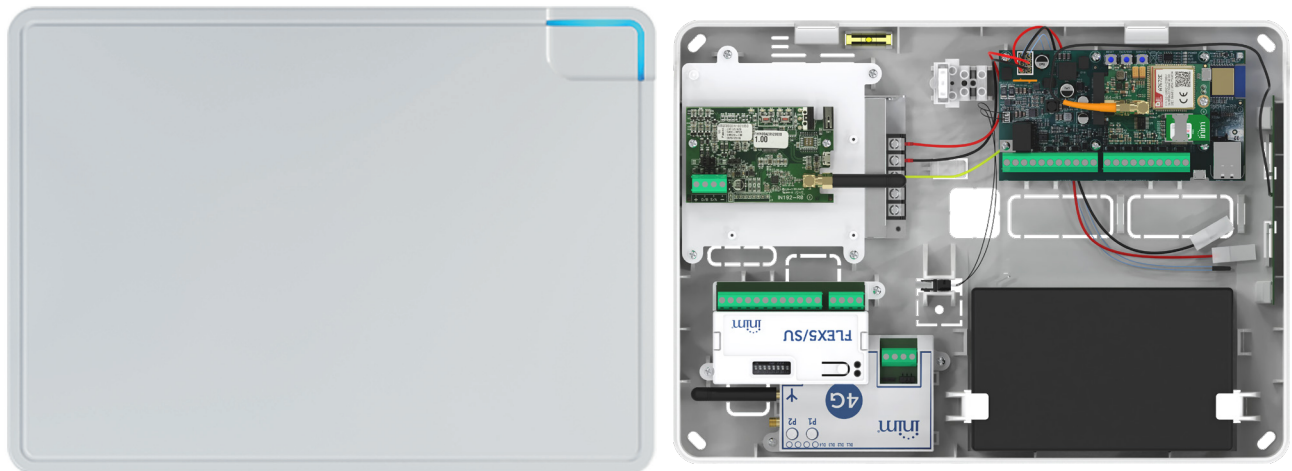


Intrusion alarm and home-automation control panel for residential security



PrimeX is the intrusion alarm and home-automation control panel designed to revolutionize the security of medium-sized residential and commercial premises.

The innovative plastic box is designed to house a wireless transmitter and an LTE communicator. Depending on the model of control panel chosen, it is also possible to integrate LAN and Wi-Fi modules. This combination of features makes PrimeX an extremely complete and flexible system.

The PrimeX stands out for its elegant and functional design, enriched by a luminous element that indicates the system status. Modularity and scalability are the strong points: the three available models allow you to take advantage of different connection technologies, furthermore, the licence-based system allows you to extend the control panel functions quickly at any stage, even after installation.

The PrimeX integrates all the functions of the most advanced systems in a medium-sized control panel and the models available are compatible with all existing Inim IBUS peripherals to guarantee security and home-automation management also via the Cloud and App.

The PrimeX is a professional product and therefore is dedicated to industry professionals who are part of the “Inim Identified Installer” program.

PrimeX control panels guarantee stable and fast performance.

Furthermore, the LTE module integrated into the PrimeX/LWG model enhances the connection speed to Cloud services.

MAIN FEATURES

Control panel models		PrimeX/LAN	PrimeX/LW	PrimeX/LWG	
Integrated modules	LAN module	✓	✓	✓	
	Wi-Fi module	–	✓	✓	
	GSM/LTE module	–	–	✓	
Functions available by default	Cloud connection, SIA-IP protocol and programming:	via LAN	✓	✓	✓
		via LAN and Wi-Fi	–	✓	✓
		via LAN, Wi-Fi and LTE communicator	–	–	✓
	Programming via internal network connection	via LAN	✓	✓	✓
		via Wi-Fi	–	✓	✓
	Programming via dedicated Wi-Fi access point	–	✓	✓	
	Generation of voice calls via LTE communicator	–	–	✓	
	Reception of voice calls via LTE communicator	–	–	✓	
Sending of automatic SMS via LTE communicator	–	–	✓		

FEATURES BY LICENCE

Licences	None (standard model)	Licence per terminals	Voice licence
Voice functions	No	–	Yes
Terminals	20	40	–
Partitions	10	10	–
Codes	50	100	–
Keys	50	100	–
Total zones	40	80	–

MANAGEABLE PERIPHERALS

Keypads	30
Expansions	100
Readers	60
Sounder/flashers	10
Wireless transceiver	30
Isolators	16
Temperature probes	15
Home-automation modules	30
Power supply stations	10

CONTROL PANELS – FUNCTIONS

Voicemail slots	10 (with voice licence)
Key combinations	4294967296
Scenarios	50
Timers	40
Recordable Events	4000
Programmable events	60
Astronomical clocks	40
Thermostats	45

TECHNICAL SPECIFICATIONS

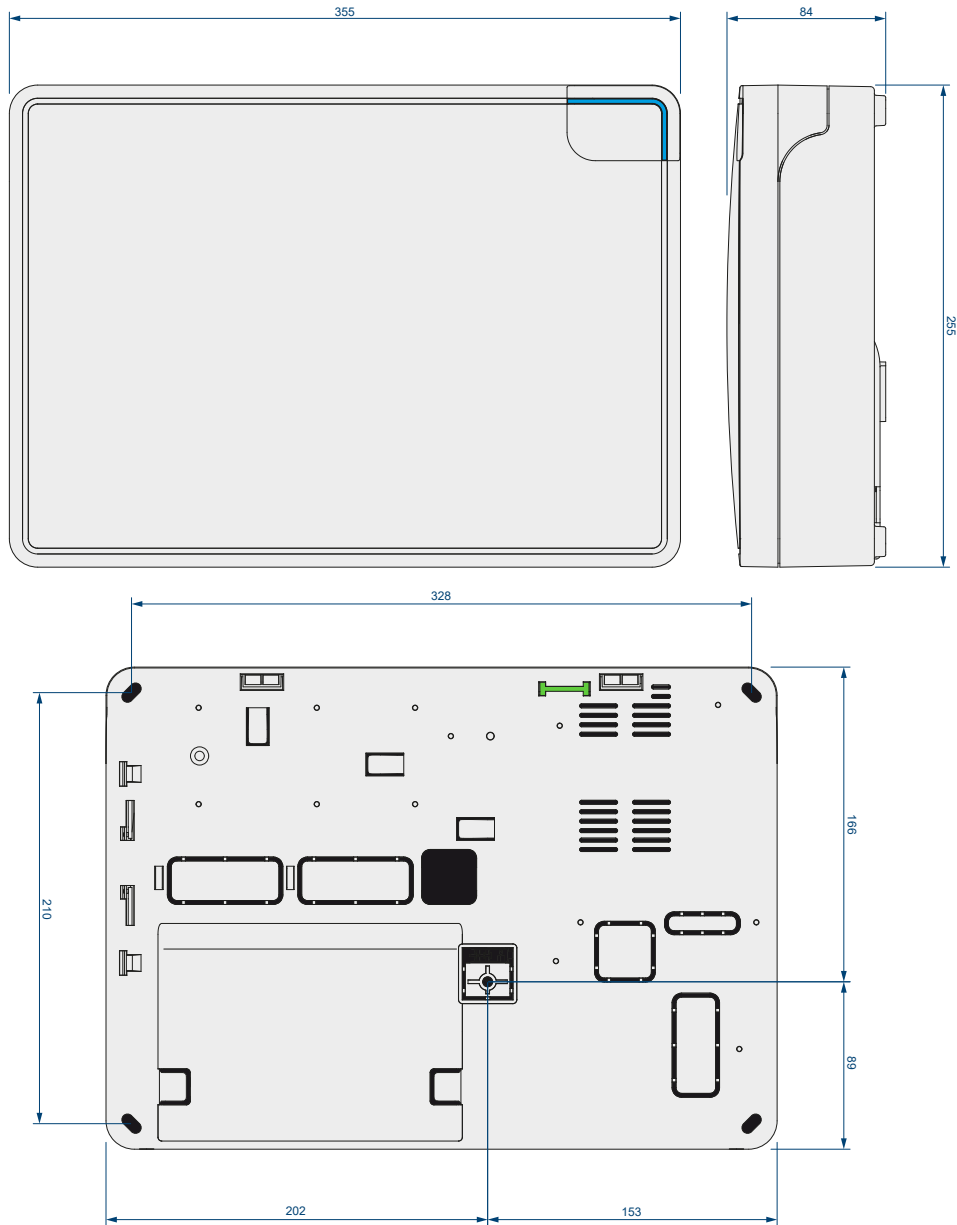
	PrimeX/LAN	PrimeX/LW	PrimeX/LWG
Power supply voltage		100 – 240 Vac -15% + 10%, 50-60 Hz	
Total of Maximum current deliverable		3.1 A	
Current for battery recharge		0.8 A	
Number of terminals		20 (expandable to 40 by licence)	
Number of partitions		10	
Connectivity*	LAN	LAN + Wi-Fi	LAN + Wi-Fi + GSM/LTE
Compliance		EN50131, Grade 3	
Temperature		from -10 to +40°C	
Relative humidity		≤ 75%, without condensation	
Security grade		3	
Environmental class		II	
Dimensions		25 x 35 x 8 cm	
Weight		1.6 Kg	

On all PrimeX models it is possible to add the Nexus/4G device on the BUS.

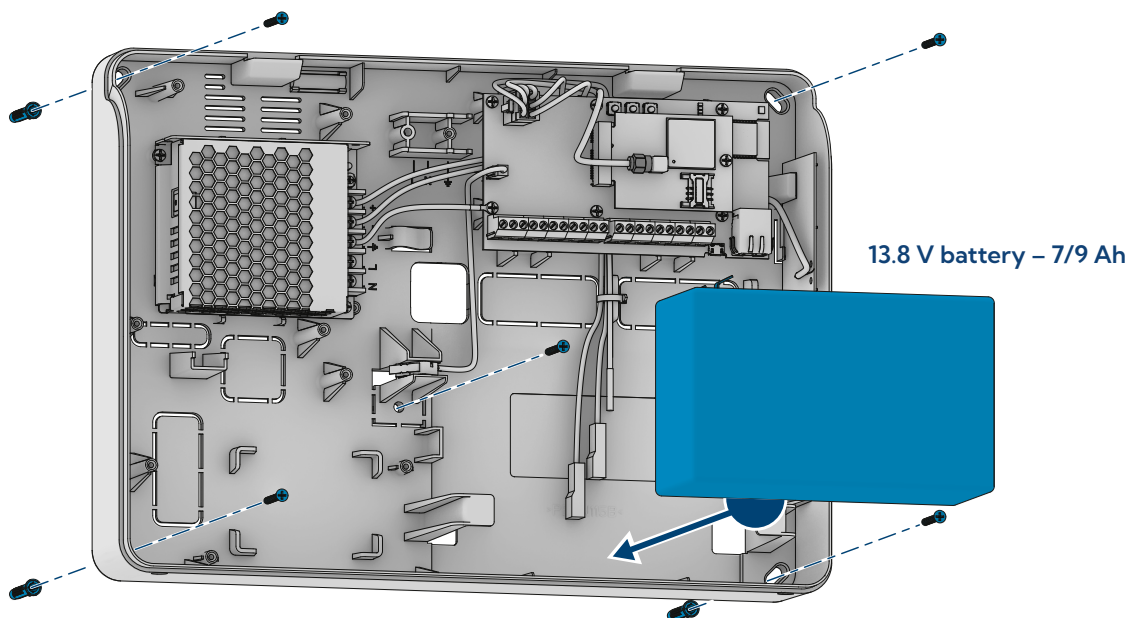


EN 50131-1
EN 50131-3
EN 50131-6
EN 50131-10
EN 50136-1
EN 50136-2
EN 50130-4
EN 50130-5
CEB T031

DIMENSIONS



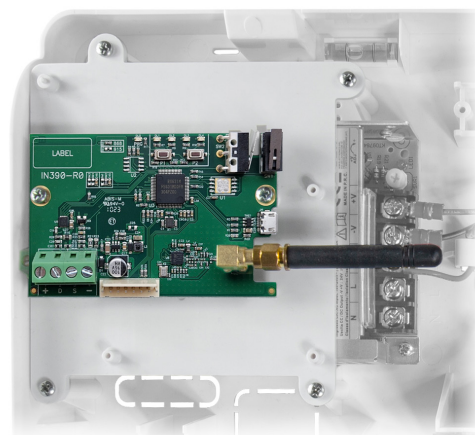
CONTROL PANEL INSTALLATION



Air2-BS200X

Air2-BS200X is a wireless transceiver module dedicated exclusively to PrimeX through which it is possible to integrate the management of Air2 wireless detectors, keypads, sounders and remote controls.

With the Air2-BS200X the PrimeX control panel is able to manage up to four wireless keypads, four sounders, ten temperature probes and forty detectors. It is supplied with a support for mounting inside the intrusion control panel enclosure.



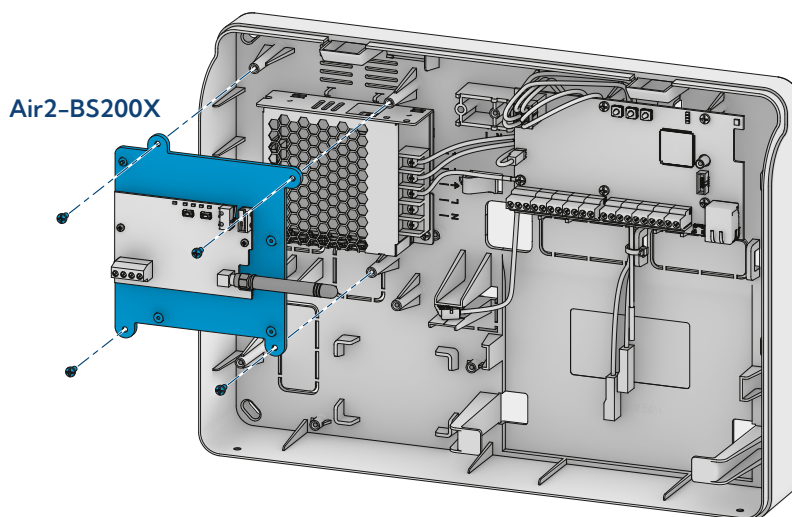
TECHNICAL FEATURES OF AIR2-BS200X

Power supply	from 9 to 15 V $\overline{\text{---}}$
Current absorption	30 - 50 mA
Antenna impedance	50 Ohm
Dimensions (WxHxD)	115 x 125 x 27 mm
Weight	70 g
Terminals	50
Remote control keys	100
Keypads	4
Sounder/flashers	4
Temperature sensors	10

TECHNICAL SPECIFICATIONS OF AIR2 WIRELESS SYSTEM

Operating frequency	range	868.0 – 868.6MHz
	selectable channels	868.1, 868.3, 868.5 MHz
Maximum RF output power	25 mW e.r.p.	
Communication type	Two-way	
Modulation	GFSK	
Device monitoring	from 12 to 250 minutes	

INSTALLATION OF Air2-BS200X



ORDER CODES

- PrimeX/LAN** Intrusion control panel with 20 terminals expandable to 40 by licence. LAN connection
- PrimeX/LW** Intrusion control panel with 20 terminals expandable to 40 by licence. LAN + WiFi connection
- PrimeX/LWG** Intrusion control panel with 20 terminals expandable to 40 by licence. LAN + WiFi + GSM/LTE connection
- Air2-BS200X** Wireless transceiver module for the PrimeX intrusion control panel models only