



## Air2-Flex2R/2I

### Wireless module for home-automation and roller shutters

The Air2-Flex2R/2I wireless home-automation module connects to the control panel as a wireless device via the Air2-BS200 receiver and can be used as a module with 2 5A relay outputs (with interblock function) and 2 "NO" (normally open) or "NC" (normally closed) input terminals.

Besides being able to manage autonomously the previously mentioned 4 terminals, it is possible to program the device in a further 11 modes, which include the management of roller shutters, venetian blinds and light points.

The module is also equipped with status indicator LEDs for the relay outputs.

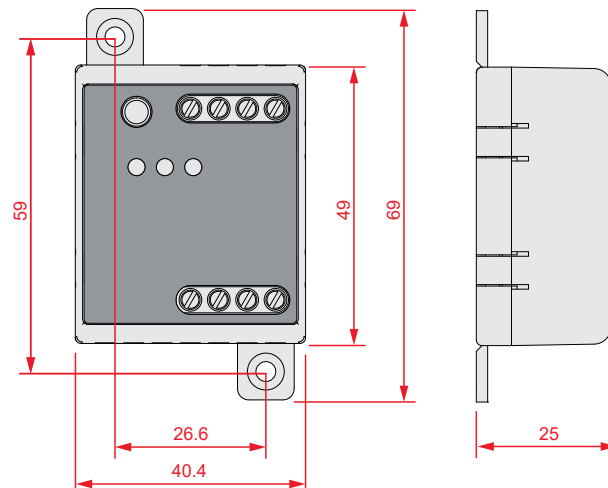
Air2-Flex2R/2I is capable of operating in accordance with the set programming even in the event of loss of communication with the control panel.



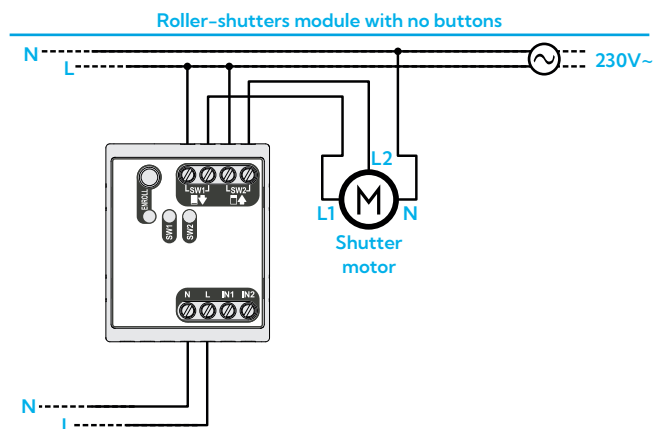
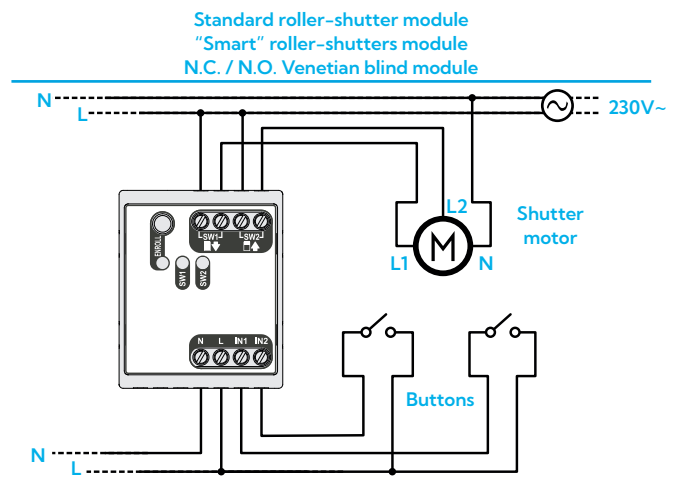
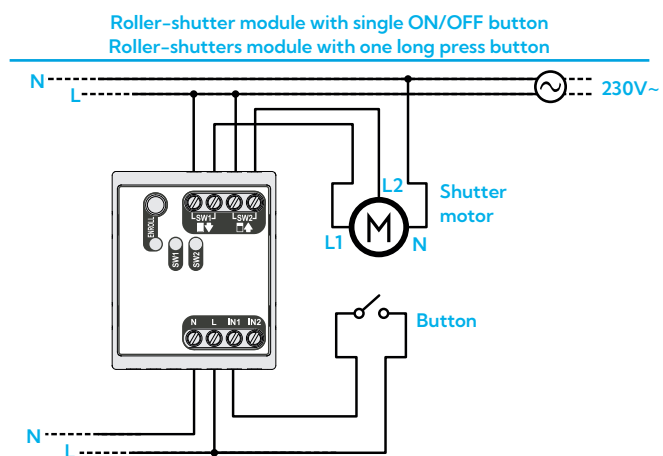
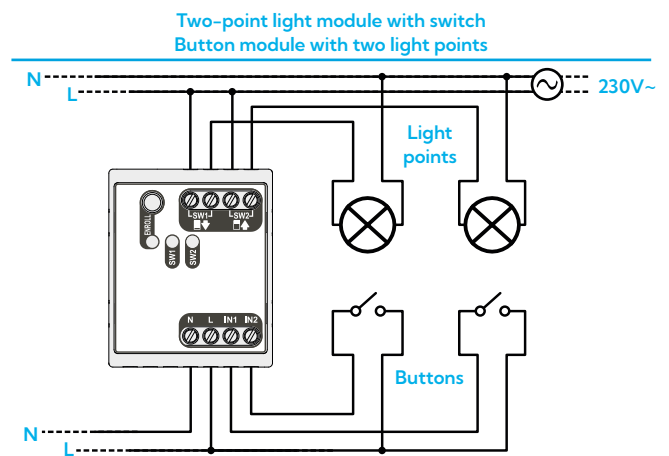
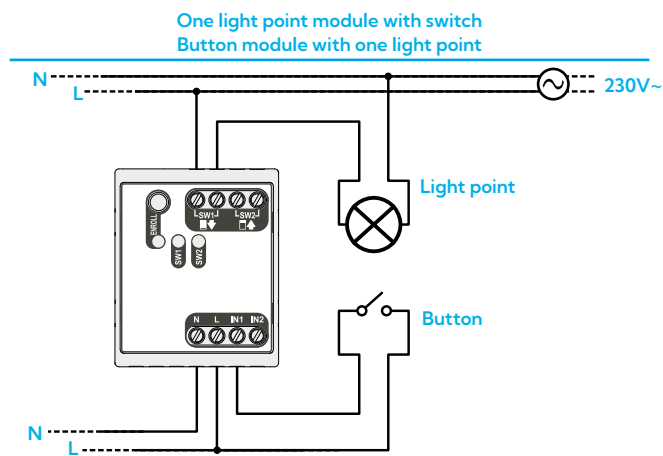
#### TECHNICAL SPECIFICATIONS

Communication with wireless devices	Two-way
Operating frequency	868MHz
Programmable supervision time of wireless devices	from 12 to 250 minutes
Power supply	from 90 to 250 V~ 50-60 Hz
Current draw	
standby status	0.2 W
maximum	0.7 W
SW1 and SW2 relays	Max 5 A @ 230 V~ Max. 5 A @ 30 V ~ Max. 5 connectable devices
Operating environmental conditions	
Temperature	from -10 to +40°C
Relative humidity	≤ 75 % without condensation
Security grade	2
Environmental class	II
Dimensions (W x H x D)	
with flanges	41 x 69 x 25 mm
without flanges	41 x 49 x 25 mm
Weight	40 g

#### DIMENSIONS



## TERMINALS CONNECTION



## ORDER CODES

**Air2-Flex2R/2I** Wireless home-automation expansion module with two input terminals and two relay outputs

**Flex2R/2I** Wired home-automation expansion module with two I/O terminals and two relay outputs



Evolving Protection

Via Dei Lavoratori 10  
63076 Montepandone (AP) - ITALY  
Tel. (+39) 0735 705007 - Fax (+39) 0735 704912

info@inim.it - www.inim.it